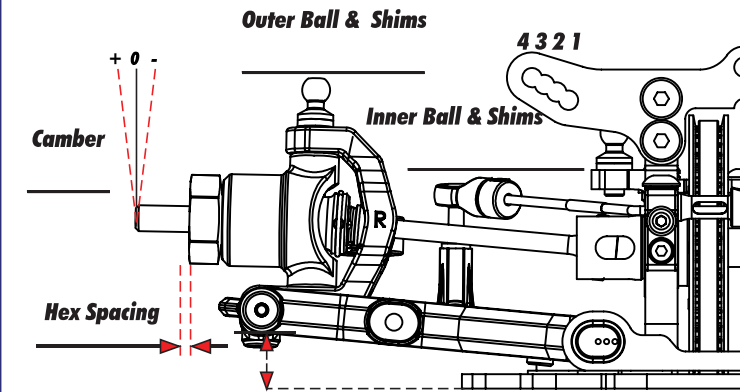
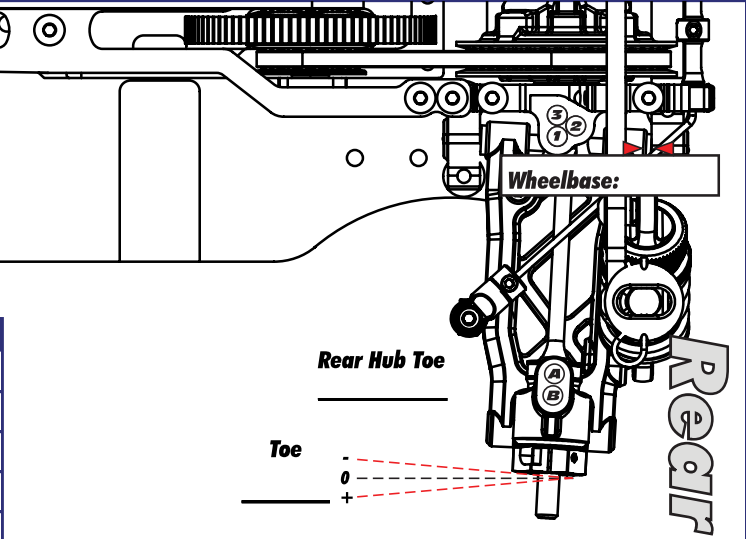
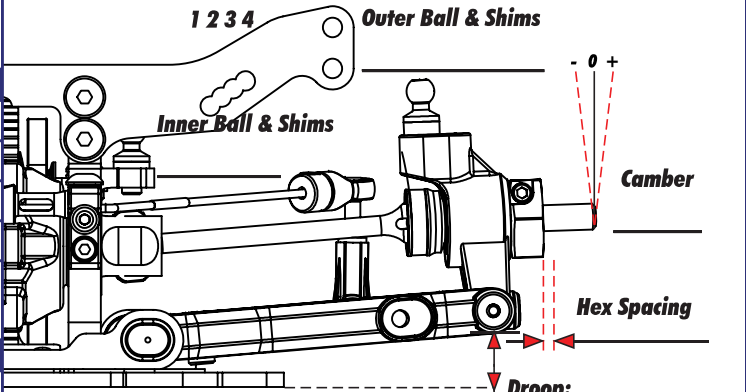


Front	Suspension Geometry	Rear
	Outer Arm Mount Insert	
	Outer Mount Shims	
	Inner Arm Mount Insert	
	Inner Mount Shims	
	Anti-Roll Bar	



Shocks		
	Oil	
	Piston	
	Rebound	
	Spring	



Differentials		
	Type	
	Setting	
	Cam Position	
	Belt Tension Number	

<b>Inside of vehicle</b> -3 DOT  -1"	<b>Arm Mount Inserts</b> -2 DOT  -1/2"	<b>Outside of vehicle</b> 1 DOT  0"	+2 DOT  +1/2"	+3 DOT  +1"	<b>Wheel Base Shims</b> 
---	---	--	---------------------	-------------------	-----------------------------

**Cam Position**

Low Mid-Low Mid-High High

**Belt Tension Number**

View from left side of car

<b>Chassis</b>		<b>Top Plate</b>	
<b>Motor</b>		<b>Gearing</b>	

Tires		
	Type	
	Tire Diameter	
	Insert & Wheel	
	Additive & Amount	

<b>Transmitter</b>		<b>Speed Control</b>	
Turning Circle:		E.S.C. Type:	
Steering Expo:		E.S.C. Settings:	
Brake E.P.:		Software Version:	
Throttle Expo:			
<b>Battery &amp; Placement</b>		<b>Body &amp; Wing</b>	